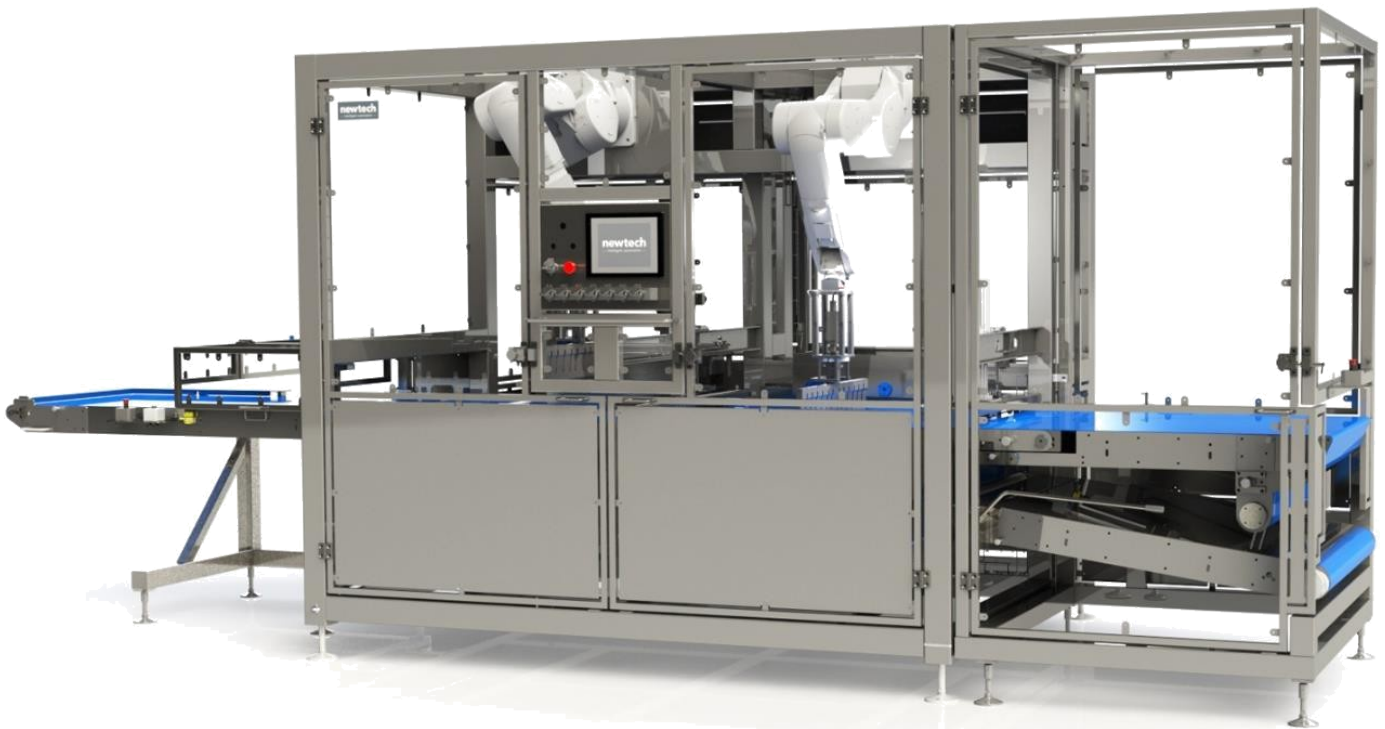
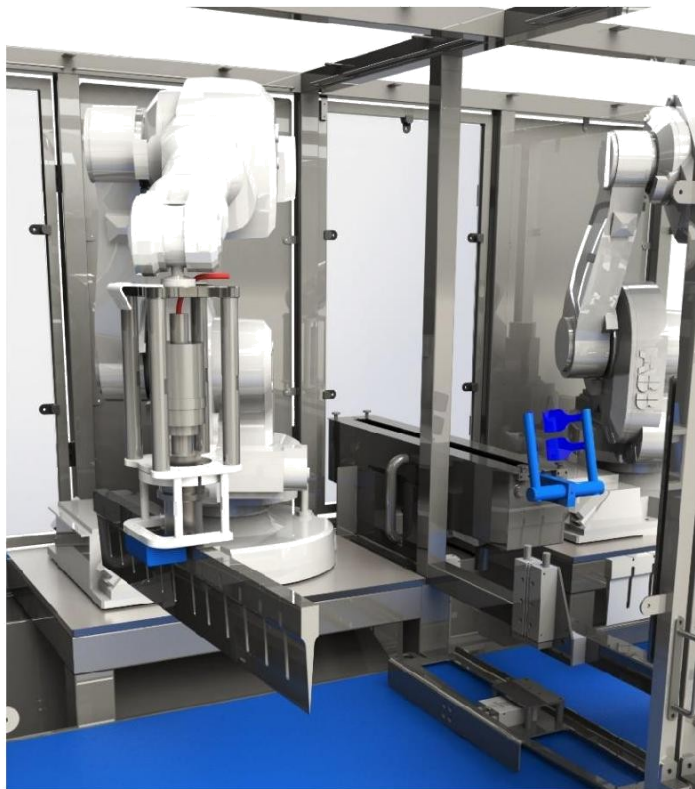


RoboSONIC-Twin Inline Ultrasonic Slicing Machine

newtech
— intelligent automation —

The **roboSONIC-Twin Inline** is a highly flexible, in-line robotic cutting machine, incorporating ultrasonic cutting technology. It is designed to portion **tray bake, round and loaf** type products and with the use of two robots, your throughput is increased compared to a standard single robot machine. As a conveyor-based machine, it can be integrated into an existing line or used as a stand-alone solution.





Key Features

- Designed for cutting tray bake, round and loaf type products
- 2 x 6-Axis robots providing flexibility, reliability, accuracy & increased throughput
- Operated via full colour touch screen with user friendly interface and easy-to-edit programs
- 3 user log in levels – Operator, Supervisor and Engineer
- 2 x 20kHz ultrasonic titanium blade
- Integrated cleaning tank with air-dry
- Remote access capability

Services Required

- 3 phase electrical supply 400VAC(3PH+N+E) \ 50Hz \ 32A
- 6 bar Air
- Mains Water Supply for Cleaning Tank
- Ethernet Connection for Remote Access

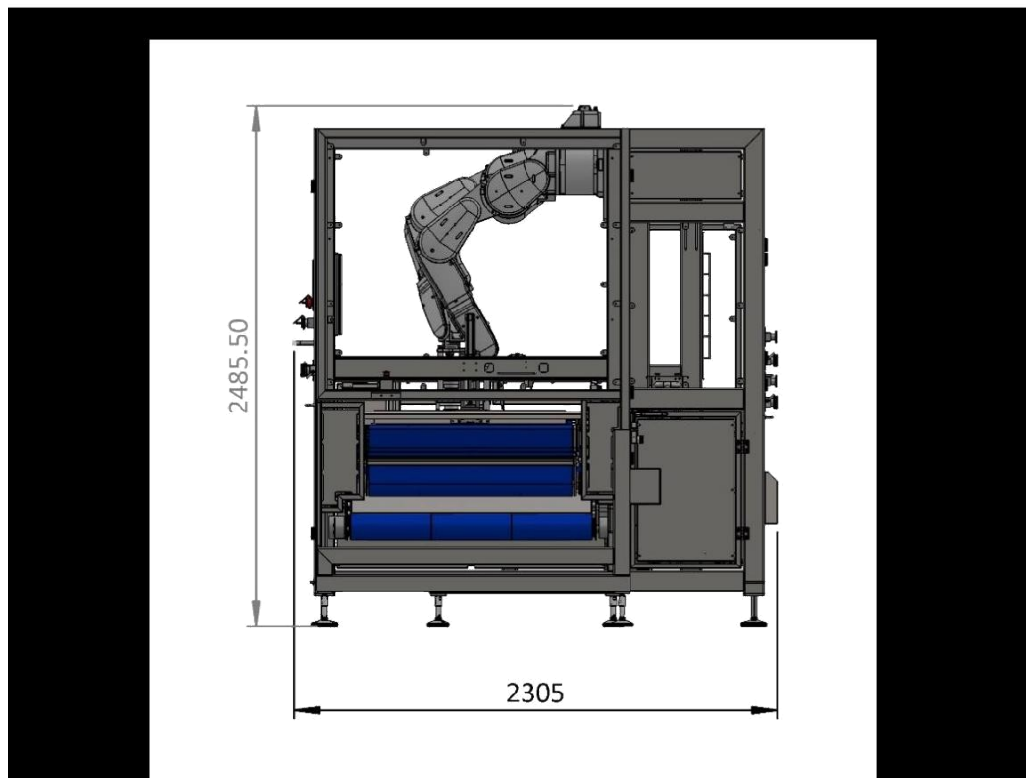
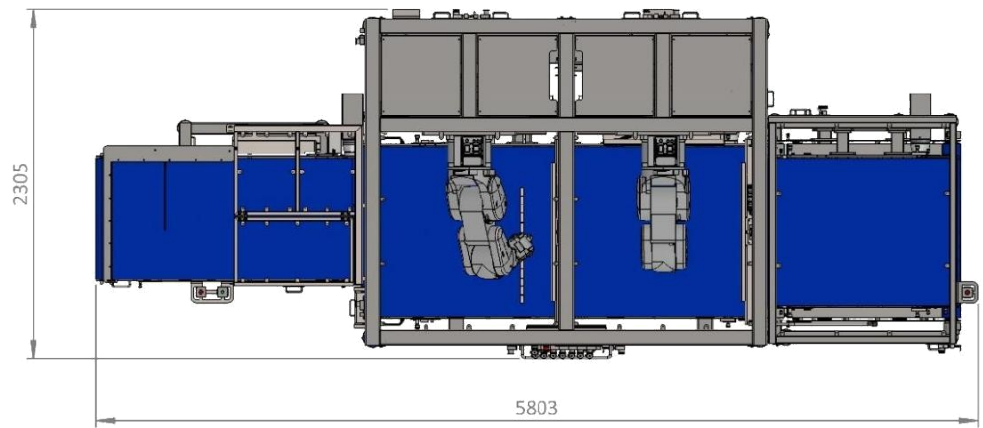
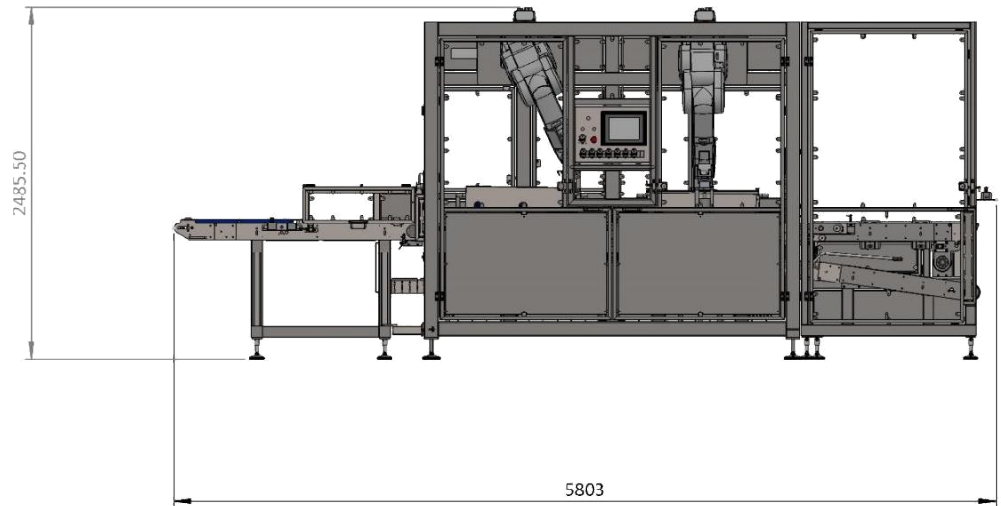
Machine Dimensions (L x D x H)

- 5803 x 2305 x 2485.50mm

Additional Features

- Cut on the belt or on product boards
- Fully Stainless Steel construction & food grade plastics
- Quick-release conveyor belt for ease of removal
- Range of blade size options to suit your application
- Head change over, trim removal, waste conveyers and automatic packaging machine feed are available as optional extras
- Also available with a mechanical blade

Machine Layout





newtech intelligent automation

Stoke Mill, Mill Road, Sharnbrook, Bedfordshire, England, MK44 1NP

Tel: +44(0)1234 783680 Fax: +44(0)1234 782093

www.newtech-ltd.co.uk